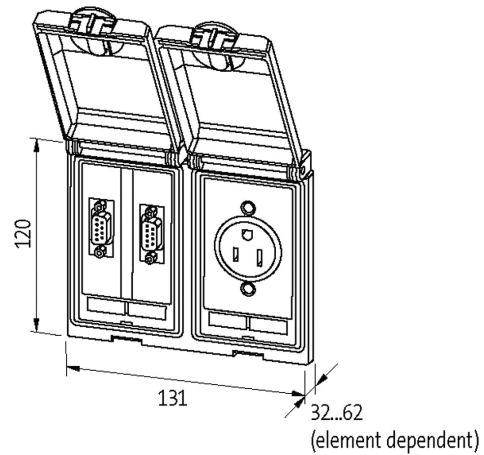


**Modlink MSDD-set: Frame 4000-68123-0000000,**  
insert 4000-68000-0010000 + 4000-68000-1440000

**Illustration**





Product may differ from Image

#### Frame

|   |   |
|---|---|
| suitable for mounting with wall thickness | 1...5 mm  |
| Protection                                | IP65  |
| Housing                                   | Zinc die-casting, with surface finishing        |
| Temperature range                         | -10...+60 °C (storage temperature -25...+60 °C) |

#### SUB-D9

|                               |                        |
|-------------------------------|------------------------|
| Operating voltage             | 48 V AC/DC             |
| Operating voltage (UL Rating) | max. 30 V AC/42.4 V DC |
| Operating current             | 3 A                    |
| Operating current (UL Rating) | max. 175 mA            |
| No. of poles                  | 9-pole                 |
| Connection front side         | SUB-D (female)         |
| Connection rear side          | SUB-D (female)         |
| Locking of ports              | UNC 4...40 bolt        |

#### RJ45

|                               |                                       |
|-------------------------------|---------------------------------------|
| Operating voltage (UL Rating) | max. 30 V AC/42.4 V DC                |
| Operating current (UL Rating) | max. 175 mA                           |
| Connection front side         | RJ45                                  |
| Connection rear side          | RJ45                                  |
| Locking of ports              | Snap In                               |
| Specification                 | CAT5e, Class D, 100 MHz, (EN 50173-1) |

#### Shielding plate

|                   |                  |
|-------------------|------------------|
| Connection        | Threaded hole M4 |
| Tightening torque | 0.9 Nm ±0.1      |

#### USB

|                   |            |
|-------------------|------------|
| Operating voltage | 48 V AC/DC |
|-------------------|------------|

|                               |                        |
|-------------------------------|------------------------|
| Operating voltage (UL Rating) | max. 30 V AC/42.4 V DC |
|-------------------------------|------------------------|

|                   |       |
|-------------------|-------|
| Operating current | 1.5 A |
|-------------------|-------|

|                  |         |
|------------------|---------|
| Locking of ports | Snap In |
|------------------|---------|

|               |                          |
|---------------|--------------------------|
| Specification | USB: 3.0 (max. 5 Gbit/s) |
|---------------|--------------------------|

**Germany (VDE)**

|                   |          |
|-------------------|----------|
| Operating voltage | 250 V AC |
|-------------------|----------|

|                   |      |
|-------------------|------|
| Operating current | 16 A |
|-------------------|------|

|              |        |
|--------------|--------|
| No. of poles | 2 + PE |
|--------------|--------|

|            |   |
|------------|---|
| Connection | Screw terminals: max. 2× 6 mm <sup>2</sup> (AWG 10) |
|------------|---|

|             |        |
|-------------|--------|
| LED display | yellow |
|-------------|--------|

**Commercial data**

|                   |    |
|-------------------|----|
| country of origin | CZ |
|-------------------|----|

|                       |          |
|-----------------------|----------|
| customs tariff number | 85366990 |
|-----------------------|----------|

|     |               |
|-----|---------------|
| EAN | 4048879035033 |
|-----|---------------|

|        |          |
|--------|----------|
| eClass | 27189217 |
|--------|----------|

|                |   |
|----------------|---|
| Packaging unit | 1 |
|----------------|---|